



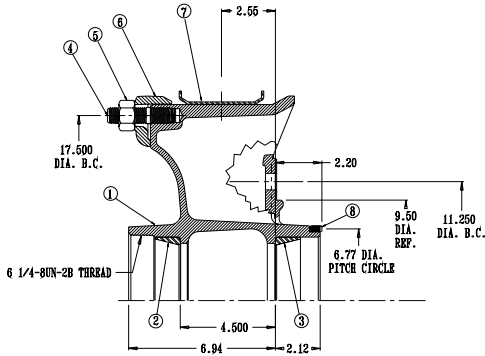
SERVICE BULLETIN #107

5682 Trailer Spoke Wheel

5/31/2011

Upon depletion of inventory, the 5682 trailer spoke wheel will become obsolete with no direct replacement. We do however recommend three replacements that use the same bearing combination and seals. If you have any questions, please contact Webb Technical Services via email to engineering@webbwheel.com or call 256-775-7514.

Option #1: Use the Webb 5580 spoke wheel which requires you to change from a 24" or 24.5" rim size to a 22" or 22.5" rim size. The 5580 spoke wheel uses the same brake drum part numbers as the 5682 spoke wheel.

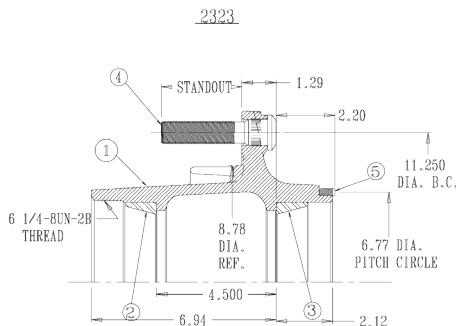


5580 Bill of Material			
Item	Part No.	Description	Qty
1	5580T	5 Spoke 20" Wheel	1
2	HM518410	Outer Bearing Cup	1
3	HM518410	Inner Bearing Cup	1
4	171027	Rim Stud	5
5	74710	Hex Nut 3/4-10	5
6	16123	Rim Clamp	5
7	42040	Rim Spacer	1
8	51554	ABS Ring	1

5580 Replacement Assemblies	
Wheel Service Assembly	ABS
5580Z--A	Non-ABS
5580Z--AT	ABS

Replacement Drum Numbers	Size
68730F	16.50 X 7.00"
68927F	16.50 X 8.62"

Option #2: Use a 10 stud 2323 hub with threaded hubcap. This requires changing brake drums, changing to a disc hub, and changing to disc wheels instead of demountable rims.

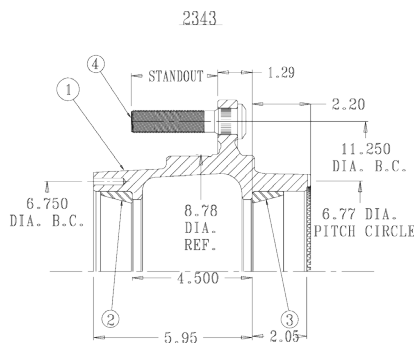


2323 Bill of Material			
Item	Part No.	Description	Qty
1	2323T	10/285.75mm ABS Hub with Tone Ring (threaded hubcap)	1
2	HM518410	Outer Bearing Cup	1
3	HM518410	Inner Bearing Cup	1
4	Varies	Serrated Stud M22 x 1.5 or 3/4 - 16	10
5	51554	ABS Ring	1

Replacement Drum Numbers	Size
66864F	16.50 X 7.00"
66814F	16.50 X 8.62"

2323 Replacement Assemblies		
Hub Service Assembly	Wheel Type	ABS
23231--ML	BSN Steel or Aluminum Wheels	Non-ABS
23231--MR		Non-ABS
23231--MLT		ABS
23231--MRT		ABS
23231--3	FN Steel Wheels	Non-ABS
23231--3T		ABS
23231--5	FN Aluminum Wheels	Non-ABS
23231--5T		ABS

Option #3: Use a 10 stud 2343 hub with bolt on hubcap. This requires changing brake drums, changing to a disc hub, and changing to disc wheels instead of demountable rims.



2343 Bill of Material			
Item	Part No.	Description	Qty
1	2343A	10/285.75mm ABS Hub Direct Machined (bolt-on hubcap)	1
2	HM518410	Outer Bearing Cup	1
3	HM518410	Inner Bearing Cup	1
4	Varies	Serrated Stud M22 x 1.5 or 3/4 - 16	10

Replacement Drum Numbers	Size
66864F	16.50 X 7.00"
66814F	16.50 X 8.62"

2343 Replacement Assemblies		
Hub Service Assembly	Wheel Type	ABS
23431--MLT	BSN Steel or Aluminum Wheels	ABS
23431--MRT		ABS
23431--3T	FN Steel Wheels	ABS
23431--5T	FN Aluminum Wheels	ABS